

Cap

black Square 4.0x4.0x5.5 mm

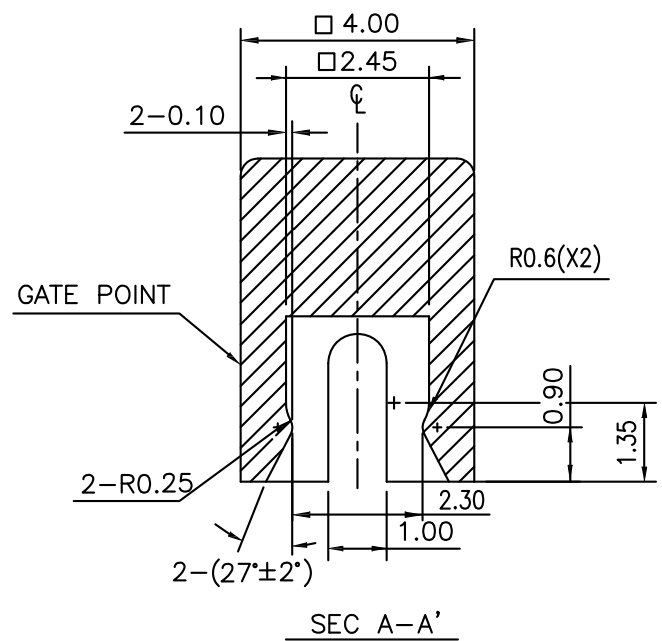
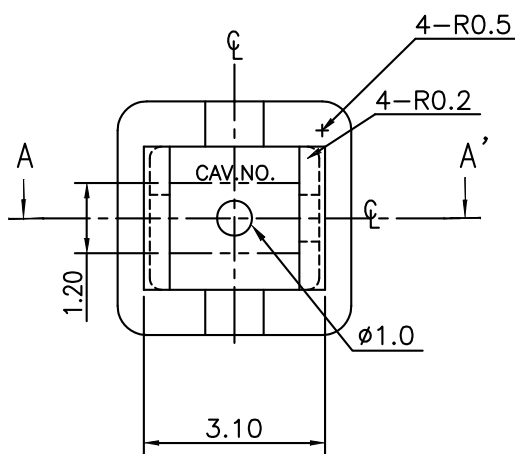
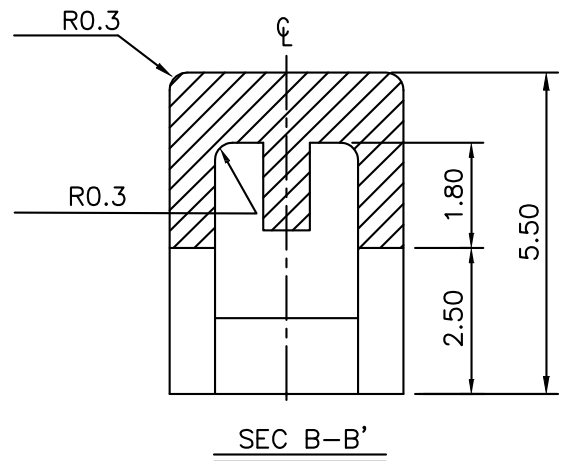
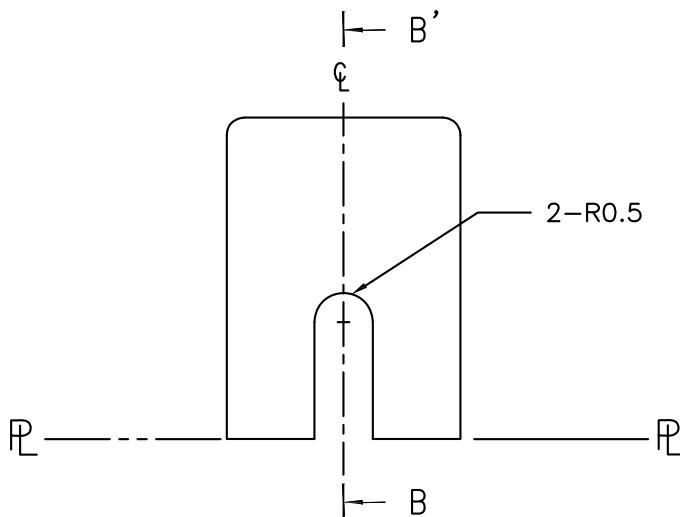


SPECIFICATION:

Length	4.0 mm
Width	4.0 mm
Shape	Square
Height	5.5 mm
Colour	black
Cap Material	ABS - PA707



DRAWING



Art. Nr.
RND 210-00225

Cap

black Square 4.0x4.0x5.5 mm

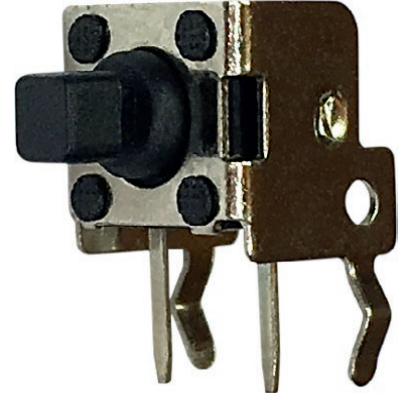
Recommended Switches to Use with This Cap



Type nr:
RND 210-00190
RND 210-00195



Type nr:
RND 210-00206
RND 210-00211



Type nr:
RND 210-00254
RND 210-00259